

Vision is  
our mission®

Camera HMOS 180° DigiCoax  
Article no. 311691

Camera HMOS 120° DigiCoax  
Article no. 311689

Camera HMOS 90° DigiCoax  
Article no. 311686

Camera HMOS 60° DigiCoax  
Article no. 311684

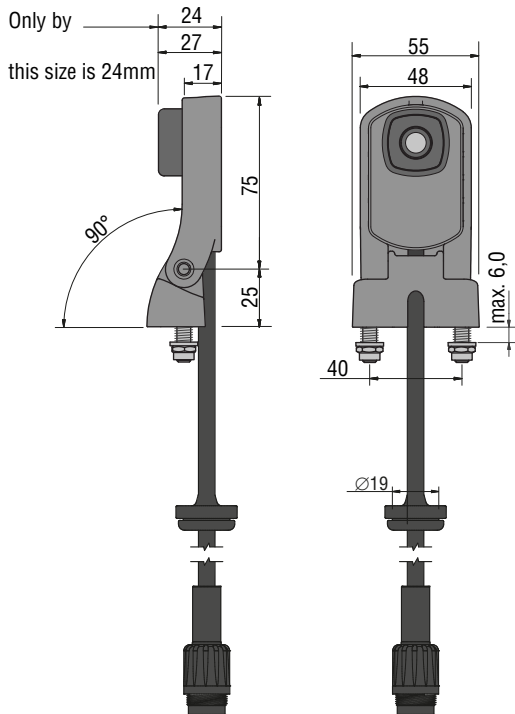
Camera HMOS 30° DigiCoax  
Article no. 311683

2017 • DS0961402 EN A 01



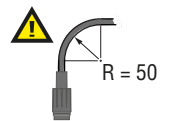
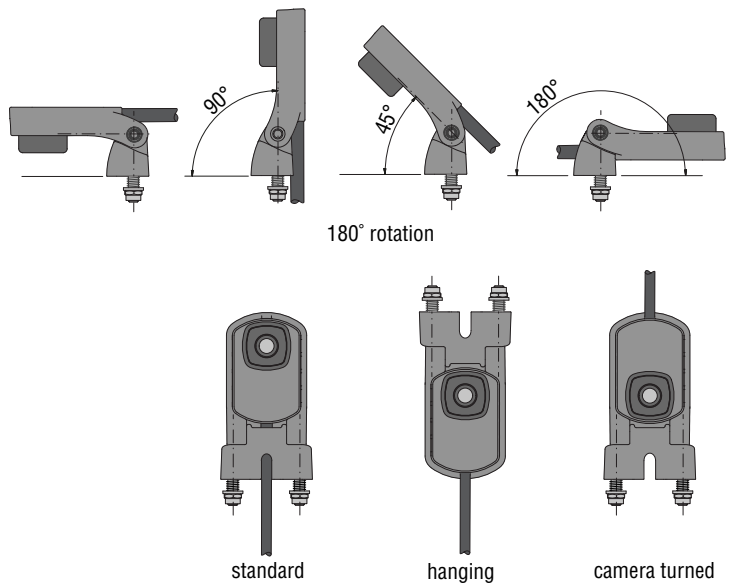
# Product Data

## Dimensions



Units in mm

## Mounting options



Min. bend radius= 50mm

## TECHNICAL DATA

### Camera HMOS DigiCoax

	<b>Description</b>				
<b>Articlenumber</b>	<b>311691</b>	<b>311689</b>	<b>311686</b>	<b>311684</b>	<b>311683</b>
<b>Lens Specified</b>	HMOS 180°	HMOS 120°	HMOS 90°	HMOS 60°	HMOS 30°
<b>Horizontal lens angle</b>	180°	120°	90°	60°	30°
<b>Vertical len angle</b>	105°	74°	56°	37°	18,5°
<b>Sensor element</b>	High resolution 1/3" CMOS rolling shutter, 1280H x 960V.				
<b>Video image</b>	50 fps SDR/HDR 1280 X 800.				
<b>Protocols</b>	Uncompressed video over coax.				
<b>Latency</b>	<6µs				
<b>Light sensitivity</b>	Responsivity 5.5V/lux-sec, Low light feature (<0,1 Lux).				
<b>High Dynamic Range</b>	>115dB.				
<b>Interface</b>	DigiCoax.				
<b>Image processing</b>	Color and gamma correction, 3D noise correction, edge enhancement, digital WDR, advanced contrast enhancement, auto white-balance, auto exposure control, mirroring, flipping, photometric and geometric lens distortion correction.				
<b>Electrical</b>					
<b>Power input</b>	Camera HMOS may only be powered by Orlaco monitor HLED. The camera HMOS has no internal power protection.				
<b>Power consumption</b>	<2W				
<b>Connector/Cable</b>	0,5m cable with Coax and molded male connector (camera power input and video output).				
<b>Min. cable bend radius</b>	50mm.				
<b>Mechanical</b>					
<b>Housing</b>	Anodised aluminium, black, UV resistant, light fastness >8, corrosion proof according IEC 60068-2-52 salt mist, cyclic.				
<b>Filling</b>	Camera is potted with automotive potting resin				
<b>Ingress protection</b>	IP68 according to IEC 60529; dust tight and protected against the effects of continuous immersion in water up to 10m under water for 30 minutes. IP69k according to DIN 40050-9: camera can withstand a high pressure cleaning with water: 14-16L/min. 80°C and 100 bars flow.				
<b>Lens glass</b>	Chemically hardened, toughed, tempered float glass: 5 to 7 times stronger than ordinary glass, protected against acid: class 2-3; DIN 12116, passed flying stone test.				
<b>Mounting hardware</b>	Standard stainless steel.				
<b>Shock constancy</b>	Shock and vibration resistant for usage on trucks, cranes, fork-lifts, maritime applications, machinery.				
<b>Camera bracket</b>	Material: Glass reinforced polyamide; VX4920 + PC/ABS; C1200HF, test: 50 Nm at -40°C to +85°C.				
<b>Weight</b>	0,24kg. including cable, bracket and mounting material. 0,30kg. in standard packing.				
<b>Truck use</b>	Withstand all fluids and materials used in and around trucks like: ammonia solution 5%, ethanol 80-100%, isopropanol 5-10%, soapy water (min. 50% soap per volume), alkaline degreasing compounds(used in high pressure washing equipment).				
<b>Operating temperature</b>	-40°C to +85°C.				
<b>Storage temperature</b>	-40°C to +125°C.				
<b>Certification</b>					
<b>Approvals</b>	Approvals in compliance with all relevant EMC- and Automotive directives. This device complies with Part 15 of the FCC Rules. Operation is subject to the following conditions: (1) this device may not cause harmful interference, and (2) this device must accept any interference received, including interference that may cause undesired operation. Certificates available upon request. Compliant with RoHS and REACH.				

All data subject to change without notice. All dimensions are for commercial purpose only.

The camera/display systems from Orlaco comply with the latest CE, ADR, EMC and mirror-directive regulations, where applicable.

All products are manufactured in accordance with the ISO 9001 quality management system, ISO/TS 16949 quality automotive, ISO 14001 environmental management systems and all Ex products with the IECEx scheme and ATEX directives, where applicable.

