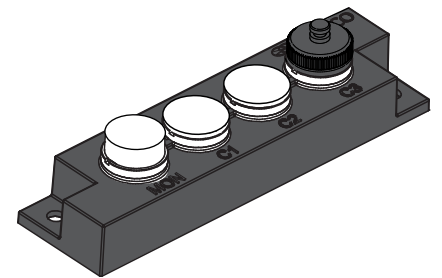
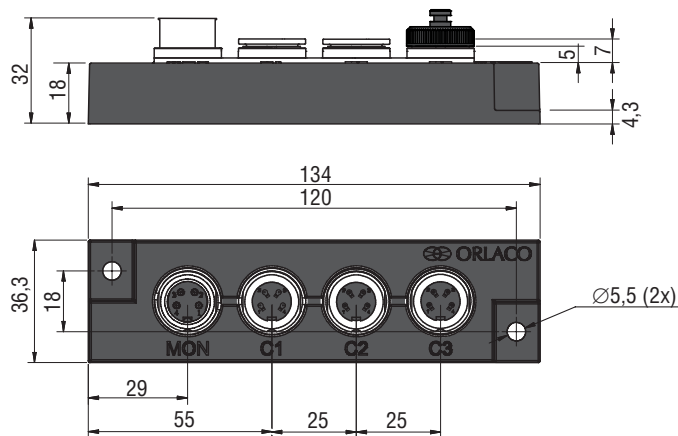


Product Data



Dimensions



units in mm

TECHNICAL DATA

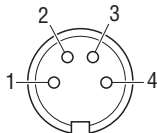
Switcher UNI serie IP67

Article number	311760
Description	Inputs and power supply for at the maximum of 3 cameras and even in combination with a Y-split cable 4 cameras, output for monitor, waterproof IP67.
Camera input	3 inputs PAL/NTSC, 1V/pp
Monitor output	PAL/NTSC, 1V/pp
Power input	12V/DC \pm 1,5V from the monitor
Housing	POM, black
Protection	IP67
Weight	0,149kg
Operating temperature	-40°C to +85°C.

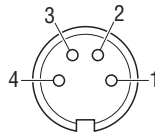
Electrical connection

Front side sockets

1 = Coax core = Video signal
2 = Coax shielding = Video GND
3 = Red = 12V/DC
4 = Black = 0V



Front side
Female 4p socket

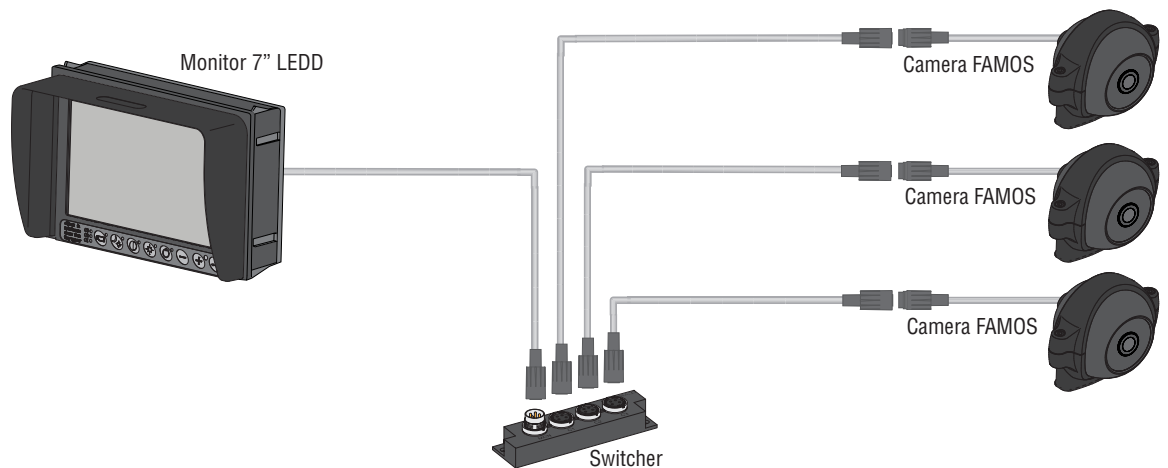


Front side
male 4p socket

Application

Example of application of a switcher in a typical system (with Monitor 7" LEDD)

Important: The maximal length between the switcher and the monitor is 20 m



All data subject to change without notice. All dimensions are for commercial purpose only.
The camera/display systems from Orlaco comply with the latest CE, ADR, EMC and mirror-directive regulations, where applicable.
All products are manufactured in accordance with the ISO 9001 quality management system, ISO/TS 16949 quality automotive, ISO 14001 environmental management systems and all Ex products with the IECEx scheme and ATEX directives, where applicable.

