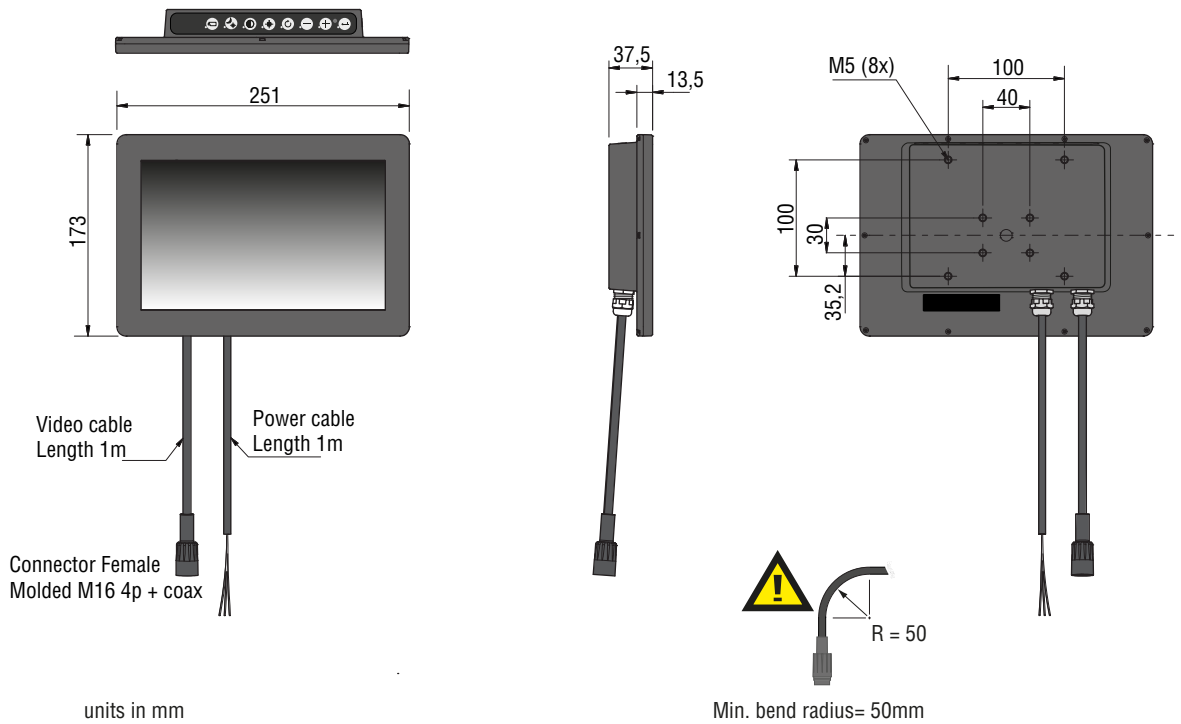


Product Data



Dimensions



TECHNICAL DATA

Monitor 10" HLED 1

	Description
Article number	312414
Cables / Connectors	1m multicable (power) open wired, 1m multicable (video) with 4p + Coax molded female connector
Weight	0,82kg (Monitor, cables and connectors)
	General
Type	10,1inch TFT LCD module with a white LED backlight.
Resolution	WXGA 1280 x RGB x 800 pixels.
Active Area	216.96 (H) x 135.60 (V) (10.1" diagonal).
Driver element	a-Si TFT active matrix.
Softwaremenu	Full On-Screen-Display (OSD) functionality in 13 languages.
ABC mode	Improved Auto Brightness Control (ABC) including one-touch day/night setting and adjustable minimum and maximum levels for automatic control.
Light output	500 Nits.
Operating temperature	-40°C...+85°C.
	Electrical
Input voltage range	12V/24V/DC
Power consumption	12W@24V.
Protection:	Above 33V overvoltage protection, protection deactivated below 30V. Below 7V undervoltage protection, protection deactivated above 8V. Protected against load dumps, spikes and surges, reverse polarity on all wiring.
Power-output:	For powering camera. Output current 1A max. Power output is input voltage, protected against load dumps, spikes, surges and reverse polarity.
Video input	Coax GMSL.
	Mechanical
Surface	Hard coating (3H), with AG LR (Low Reflection) polarizer.
Housing	Color Black, material: high impact automotive synthetic thermoplastic polymer.
Protection	IP54 according IEC60529.
Temperature/humidity test	According IEC60068-2-1/2/3/14/30/38.
	Certification
Quality & environment	Units are manufactured by Orlaco in the Netherlands; ISO 9001, ISO14001, ISO/TS 16949.

All data subject to change without notice. All dimensions are for commercial purpose only.
The camera/display systems from Orlaco comply with the latest CE, ADR, EMC and mirror-directive regulations, where applicable.
All products are manufactured in accordance with the ISO 9001 quality management system, ISO/TS 16949 quality automotive, ISO 14001 environmental management systems and all Ex products with the IECEx scheme and ATEX directives, where applicable.

