

Vision is  
our mission®

Camera PTZ PAL Alu  
Article no. 311768

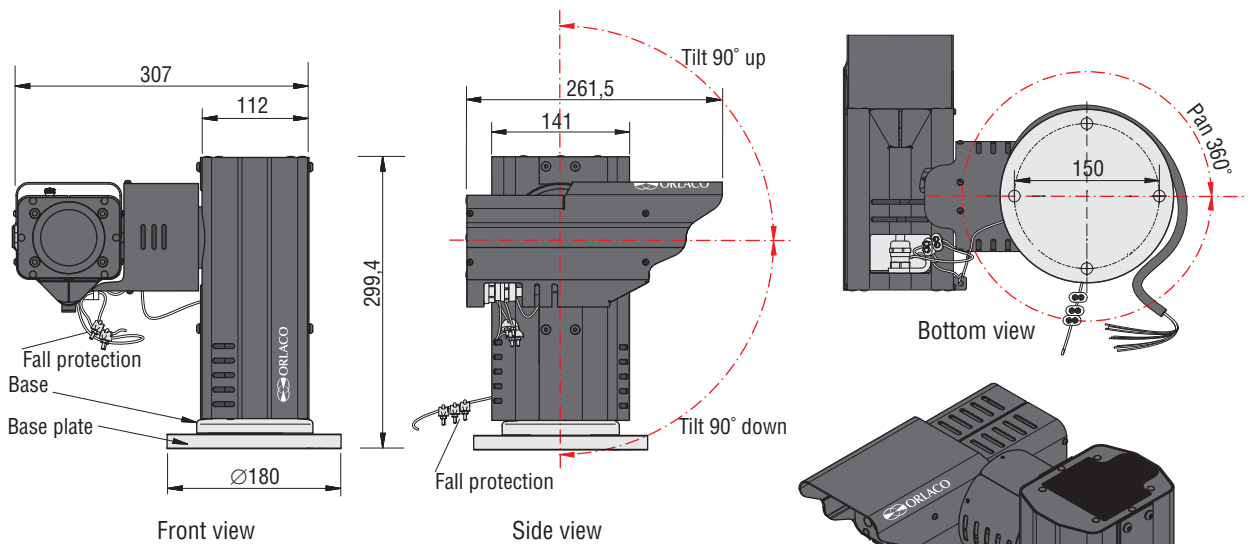
Camera PTZ PAL Alu RS485  
Article no. 312417

2018 • DS0961343 EN A 01

# Product Data

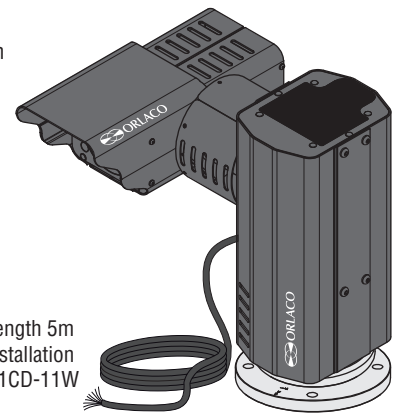


## Dimensions



Units in mm

Cable length 5m  
3,5m available for installation  
Cable Base 9B-1CD-11W



# TECHNICAL DATA

## Camera PTZ Alu RS232

## Camera PTZ Alu RS485

<b>Article numbers</b>	<b>Description</b> 311768 Camera PTZ PAL Alu RS232 312417 Camera PTZ PAL Alu RS485
	<b>General</b> Pan Tilt unit including zoom camera. The PTZ unit functions via two industrial stepping motors. These stepping motors are controlled by the integrated micro-controller and input commands RS232 or RS485 Visca-, Pelco-D protocol.
	<b>Zoom camera</b> 2.4 MPixel 1/3" CMOS sensor. 1956 (H) x 1266 (V). >700 TV lines (PAL). 30x optical, 32x digital zoom. f = 5.1 mm to 51 mm, F1.6 (WIDE) to F1.8 (TELE). High zoom ratio up to 53x when used in PAL/NTSC mode (1.9x digital zoom will not influence image quality. Sensor itself is ± 4x the number of pixels needed to create PAL/NTSC output). 58.9° (wide) 2,11° (tele). 0.5 lux (1/30sec).
<b>Image sensor</b> <b>Total pixels</b> <b>Hor. Resolution</b> <b>Lens</b>	
<b>Angle of view (H)</b> <b>Minimum illumination</b>	
<b>Pan angle</b> <b>Tilt angle</b> <b>Backlash PTZ</b> <b>Pan &amp; Tilt speed</b> <b>Presets</b> <b>Controls</b>	<b>Pan &amp; Tilt</b> Total 360°, 180° left, 180° right. Total 180°, 90° up, 90° down from horizontal. 1°. 12,5°/sec. 128 presets Visca and 255 presets Pelco-D. The PTZ camera can be controlled by means of the Monitor 7" RLED Serial; article no. 0208232 or the Monitor 12" Serial.
<b>Housing</b> <b>Weight</b> <b>Cable</b> <b>Ingress protection</b>	<b>General</b> Anodised aluminium housing corrosion proof according IEC 60068-2-52 salt mist, cyclic. 1,4 Bar overpressure filled with dry nitrogen, long term stability 0,1%/year. 6,8 kg, including 5m. cable. Length 5m, 3,5m available for installation, Cable Base 9B-1CD-11W, Art. no. 1221300. IP68 according to IEC 60529, Dust tight and protected against the effects of immersion in water up to 10m for 30 minutes and IP69K according to DIN 40050-9, camera can withstand a high pressure cleaning with water: 14-16L/min 80°C and 100 Bars flow.
<b>Operating temperature</b> <b>Power input</b> <b>Power consumption</b> <b>Communication</b> <b>Included</b> <b>Installation</b>	-40°C to +85°C. Puls width modulated thermostatically heating integrated. 18...30V/DC or alternatively 100...240V/AC via SmartBoard. Pan & Tilt; Heating on; 12W, heating off; 8,4W (Automatic heating). Communication via serial interface; Visca-, Pelco-D protocol (RS232 or RS485) 9,6 Kbps, 8 bit, 1 stop bit, no parity. Steel cable fall protection. See installation manual IM0973143.
<b>Green Passport</b>	<b>Certification</b> All materials are compliant to Green Passport requirements according IMO resolution MEPC.197(62) as adopted on 15 July 2011 (Maritime sector:International Maritime Organization concerning the functions of the Marine Environment Protection Committee).

### Electrical connections

#### Cable Base, Art no 1221300

	RS232	RS485		
1 = Coax core	Video	Video		
2 = Coax shielding	Video GND	Video GND		
3 = Red	Camera power	Camera power		
4 = Black	Camera 0V	Camera 0V		
5 = Red/White	Pan/Tilt power	Pan/Tilt power	1 = Red/blue	N.C.
6 = Black/White	Pan/Tilt 0V	Pan/Tilt 0V	2 = Black/blue	N.C.
7 = Green	Serial 1 RS-232 TX	B (inv)	3 = Blue	N.C.
8 = Grey	Serial 2 RS-232 RX	A (non-inv)	4 = Brown	N.C.
9 = Black/Gray	Serial 0V		5 = Shielding	N.C.

Cut off at wire entry  
(In Junction box)

All data subject to change without notice. All dimensions are for commercial purpose only.  
The camera/display systems from Orlaco comply with the latest CE, ADR, EMC and mirror-directive regulations, where applicable.  
All products are manufactured in accordance with the ISO 9001 quality management system, ISO/TS 16949 quality automotive, ISO 14001 environmental management systems and all Ex products with the IECEx scheme and ATEX directives, where applicable.

