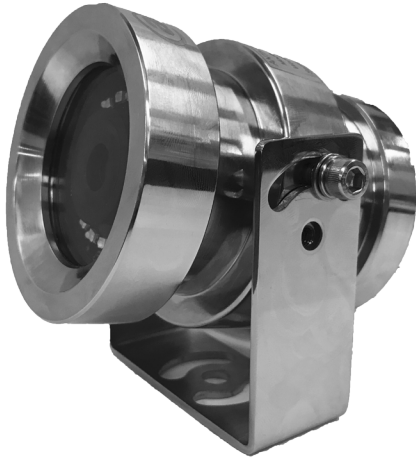


Camera IP SST 2MP Anti-corrosion IR Bullet Network Camera



- 1/2.8" 2Megapixel STARVIS™ CMOS
- Starlight technology
- H.265 Encoding
- Max. 25/30fps@1080P
- IVS
- IP67
- Material: 316L Stainless steel



System Overview

All-environment series can be used for CCTV applications range from simple monitoring applications to fully controllable digital video monitoring systems. The excellent pan and tilt functionality makes the guard tour capability a reliable surveillance aid to operator that need to monitor a vast area. The series adopts top-notch DSP and advanced image sensor, which can offer a high-performance and safe imaging solution. It offers rich appearance, IP68 rated for water/dust ingress and professional certifications, which enable this series can meet most of special requirements of video surveillance applications such as high ground surveillance, explosive and corrosive environment surveillance for chemical industry, refineries and oil & gas industry, etc.

Functions

Starlight Technology

For challenging low-light applications, VTG's Starlight Ultra-low Light Technology offers best-in-class light sensitivity, capturing color details in low light down to 0.002 lux. The camera uses a set of optical features to balance light throughout the scene, resulting in clear images in dark environments.

Wide Dynamic Range

The camera achieves vivid images, even in the most intense contrast lighting conditions, using industry-leading wide dynamic range (WDR) technology. For applications with both bright and low lighting conditions that change quickly, True WDR (120 dB) optimizes both the bright and dark areas of a scene at the same time to provide usable video.

High Efficiency Video Coding (H.265)

The H.265 (ITU-T VCEG) video compression standard offers double the data compression ratio at the same level of video quality, or substantially improved video quality at the same bit rate, as compared to older video compression technologies. H.265 offers such impressive compression by expanding the pattern comparison and difference-coding, improving motion vector prediction and motion region merging, and incorporating an additional filtering step called sample-adaptive offset filtering.

Environmental

VTG cameras operate in extreme temperature environments, rated for use in temperatures from -40 °C to +60 °C (-40 °F to +140 °F) with 95% humidity. Subjected to rigorous dust and water immersion tests and certified to the IP67 Ingress Protection rating makes it suitable for demanding outdoor applications.

Protection

The camera allows for ±25% input voltage tolerance, suitable for the unstable conditions for outdoor applications. Its 6KV lightning rating provides effective protection for both the camera and its structure against lightning.

Interoperability

The camera conforms to the ONVIF (Open Network Video Interface Forum) and PSIA (Physical Security Interoperability Alliance) specifications, ensuring interoperability between network video products regardless of manufacturer.

Technical Specification

Camera

Image Sensor	1/2.8" STARVIS™ CMOS
Effective Pixels	1920(H) x 1080(V), 2 Megapixels
Scanning System	Progressive
Minimum Illumination	Color: 0.005Lux@F2.0; 0Lux@F2.0 (IR on)
S/N Ratio	More than 50dB
IR Distance	Distance up to 30m (98ft)
IR On/Off Control	Auto/Manual
IR LEDs	18

Lens

Focal Length	3.6mm / 6mm
Max. Aperture	F2.0
Angle of View	H: 3.6mm: 87°, 6mm: 52.9°

DORI Distance

*Note: The DORI distance is a "general proximity" of distance which makes it easy to pinpoint the right camera for your needs. The DORI distance is calculated based on sensor specification and lab test result according to EN 62676-4 which defines the criteria for Detect, Observe, Recognize and Identify respectively.

Lens	Detect	Observe	Recognize	Identify
3.6mm	54.5m(178.8ft)	21.8m(71.5ft)	10.9m(35.8ft)	5.4m(17.7ft)
6mm	81m(266ft)	32m(105ft)	16m(52ft)	8m(26ft)

Intelligence

Auto Tracking	N/A
IVS	Tripwire, Intrusion, Abandoned/Missing, Face Detection

Video

Compression	H.265/H.264/MJPEG
Streaming Capability	3 Streams
Resolution	1080P(1920x1080)/1.3M(1280x960)/720P(1280x720)/D1(704x576/704x480)/CIF(352x288/352x240)
Frame Rate	Main stream: 1080P/1.3M/720P(1 ~ 25/30fps)
	Sub stream1: D1/CIF(1 ~ 25/30fps)
	Sub stream2: 1080P/1.3M/720P(1~25/30fps)
Bit Rate Control	CBR/VBR
Bit Rate	H.265/H.264: 448K ~ 8192Kbps, MJPEG: 56K ~ 20480Kbps

Day/Night	Auto(ICR) / Color / B/W
Backlight Compensation	BLC / HLC / WDR (120dB)
White Balance	Auto, ATW, Indoor, Outdoor, Manual
Gain Control	Auto / Manual
Noise Reduction	Ultra DNR (2D/3D)
Motion Detetion	Support
Region of Interest	Support
Electronic Image Stabilization (EIS)	N/A
Defog	N/A
Digital Zoom	16x
Flip	180°
Privacy Masking	Up to 4 areas

Audio

Compression	N/A
-------------	-----

Network

Ethernet	RJ-45 (10Base-T/100Base-TX)
Protocol	IPv4/IPv6, HTTP, HTTPS, SSL, TCP/IP, UDP, UPnP, ICMP, IGMP, SNMP, RTSP, RTP, SMTP, NTP, DHCP, DNS, PPPOE, DDNS, FTP, IP Filter, QoS, Bonjour, 802.1x
Interoperability	ONVIF, PSIA, CGI
Streaming Method	Unicast / Multicast
Max. User Access	20 users
Edge Storage	NAS (Network Attached Storage), Local PC for instant recording, Micro SD card 128GB
Web Viewer	IE, Chrome, Firefox, Safari
Management Software	Smart PSS, DSS
Smart Phone	IOS, Android

Certifications

Certifications	CE: EN55032/EN55024/EN50130-4 FCC: Part15 subpartB, ANSI C63.4- 2014 NEMA 4X: UL60950-1+CAN/CSA C22.2, No.60950-1
----------------	---

Interface

Video Interface	N/A
Audio Interface	N/A
RS485	N/A
Alarm I/O	N/A

Electrical

Power Supply	DC12V/1.5A, PoE
Power Consumption	6W (Heater on, IR on)

Environmental

Operating Conditions	-40°C ~ 60°C (-40°F ~ +140°F) / Less than 90% RH
Ingress Protection	IP67
Vandal Resistance	N/A

Construction

Casing	316L stainless steel
Dimensions	Φ137.5mm × 101mm × 104.5mm
Net Weight	1.8kg(3.97lb)
Gross Weight	2Kg(4.41lb)

Ordering Information

Type	Part Number	Description
2MP Bullet Camera	332480	2MP IR Anti-corrosion Bullet Network Camera, WDR, PAL
	332481	2MP IR Anti-corrosion Bullet Network Camera, WDR, PAL
Accessory	DC12V/2A	Power Supply

Accessories

Optional:

Power Supply DC12V/2A

Dimensions (mm)

